



[www.regulus.eu](http://www.regulus.eu)



HSK P 600-1700

Installation and Operation Manual  
**THERMAL STORES with stainless-steel DHW tube  
heat exchanger**  
**HSK 600 P, HSK 750 P, HSK 1000 P, HSK 1700 P**

**EN**

**HSK P 600-1700**

## CONTENTS

<b>1 Description</b> .....	<b>3</b>
1.1 Models .....	3
1.2 Tank protection .....	3
1.3 Thermal insulation .....	3
1.4 Packaging .....	3
<b>2 General Information</b> .....	<b>3</b>
<b>3 Technical Data and Dimensions of HSK P Model Line</b> .....	<b>4</b>
<b>4 Operation</b> .....	<b>5</b>
<b>5 Typical Layout Examples with Thermal Store</b> .....	<b>5</b>
<b>6 Installation and Commissioning</b> .....	<b>6</b>
<b>7 Installing Insulation on the Tank</b> .....	<b>6</b>
<b>8 Maintenance</b> .....	<b>8</b>
<b>9 Disposal</b> .....	<b>8</b>
<b>10 Warranty</b> .....	<b>8</b>

## 1 - Description

HSK P Thermal Stores are intended for storing and subsequent distribution of thermal energy of heating water. They are fitted with a stainless-steel tube DHW heat exchanger, permitting installation of electric heating elements and connection of other heat sources. For a better thermal layering, the tank volume is separated by a baffle.

For proper operation of a tank, it is necessary to have an optimum hydraulic design of the entire heating system, i.e. position of circulation pumps for both heat sources and heating circuits, valves, check valves etc. When more heat sources shall be combined, it is recommended to use a smart controller for both the heat source and heat sink sides of a heating circuit, i.e. also for charging and discharging a thermal store.

### 1.1 - Models

Four models of 560, 760, 925 and 1687 l total volume, with stainless-steel tube DHW heat exchanger.

### 1.2 - Tank protection

The thermal store has no inner surface finish, the outer surface is painted in gray. The DHW heat exchanger is made of stainless steel.

### 1.3 - Thermal insulation

Thermal insulation is available as a separate item. For easier handling, the insulation shall not be fitted on the tank until it reaches its definite place of installation. The insulation is 100 mm thick, with PUR leather surface, and closes with a zipper.

### 1.4 - Packaging

Thermal stores are delivered standing, each screwed to its pallet, packed in bubble wrap.

**It is forbidden to transport and/or store the thermal stores in a horizontal position.**

## 2 - General Information

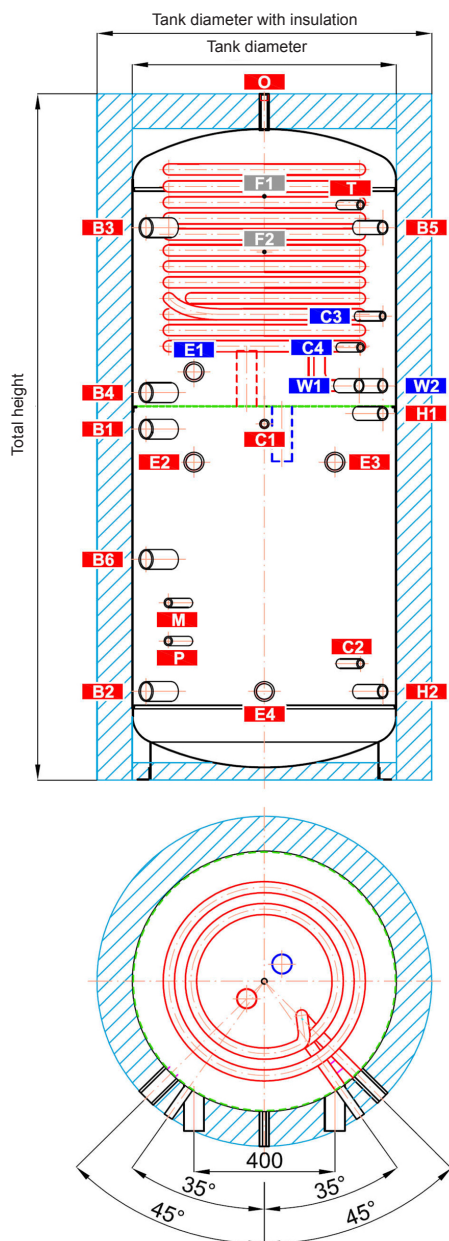
This Owners Manual is an integral and important part of the product and must be handed over to the User. Read carefully the instructions in this Manual as they contain important information concerning safety, installation, operation and maintenance. Keep this Manual for later reference. The appliance shall be installed by a qualified person according to valid rules and Manufacturer's Instructions.

This appliance is designed to accumulate thermal energy and distribute it subsequently. It must be connected to a heating system and heat sources. This appliance is suitable for continuous heating of domestic hot water.

Using the thermal store for other purposes than above described is forbidden and the manufacturer accepts no responsibility for damage caused by improper or wrong use or filling procedure.

The appliance shall be installed by a qualified person according to valid rules, otherwise the warranty becomes null and void.

### 3 - Technical Data and Dimensions of HSK P Model Line



		HSK 600/1 P	HSK 750/1 P	HSK 1000/1 P	HSK 1700/1 P
pos.	conn.	height [mm]			
<b>height</b>					
B1	G6/4"F	985	1010	1205	1240
B2	G6/4"F	235	255	300	335
B3	G6/4"F	1570	1590	1635	1615
B4	G6/4"F	1090	1115	1340	1370
B5	G1"F	1570	1590	1635	1615
B6	G6/4"F	660	635	787	370
<b>heating system</b>					
H1	G1"F	1030	1055	1280	1300
H2	G1"F	235	255	300	335
<b>electric heating elements</b>					
E1	G6/4"F	1150	1175	1365	1437
E2	G6/4"F	890	915	1110	1170
E3	G6/4"F	890	915	1110	1170
E4	G6/4"F	235	255	300	335
<b>DHW heating</b>					
W1	G1"M	970	1135	1360	1390
W2	G1"M	970	1135	1360	1390
<b>control and safety</b>					
C1	G1/2"F	1000	1025	1250	1275
C2	G1/2"F	315	335	370	700
C3	G1/2"F	1310	1335	1550	1505
C4	G1/2"F	1220	1245	1470	1475
T	G1/2"F	1635	1655	1700	1675
M	G1/2"F	510	510	510	555
P	G1/2"F	400	400	400	445
<b>air release</b>					
O	G1/2"F	1935	1975	2080	2075
<b>pump station mount</b>					
F1	M6	1660	1680	1725	1802
F2	M6	1500	1520	1565	1642

	HSK 600/1 P	HSK 750/1 P	HSK 1000/1 P	HSK 1700/1 P
Code - TANK	14 175	14 178	14 555	14 558
Code - INSULATION (accessory)	16 320	16 323	16 310	16 314
Thermal Store	HSK 600/1 P with insulation	HSK 750/1 P with insulation	HSK 1000/1 P with insulation	HSK 1700/1 P with insulation
Standing loss	101 W	119 W	132 W	179 W
Celkový objem	560 l	760 l	925 l	1687 l
Fluid volume in tank	539 l	739 l	904 l	1666 l
DHW HE heat exchanger volume above separating metal sheet	21 l	21 l	21 l	21 l
DHW HE surface area above separating metal sheet	6 m <sup>2</sup>	6 m <sup>2</sup>	6 m <sup>2</sup>	6 m <sup>2</sup>
Max. working pressure in tank	95 °C	95 °C	95 °C	95 °C
Max. working temperature in DHW HE	95 °C	95 °C	95 °C	95 °C
Max. working pressure in tank	4 bar	4 bar	4 bar	3 bar
Max. working pressure in DHW HE	6 bar	6 bar	6 bar	6 bar
Immersion heater max. length/output	4x 555 mm / 6 kW	4x 700 mm / 8,2 kW	4x 755 mm / 9 kW	4x 955 mm / 12 kW
Tank material	S235JR			
DHW heat exchanger material	AISI 316 L			
Tank diameter	650 mm	750 mm	800 mm	1100 mm
Diameter with insulation	850 mm	950 mm	1000 mm	1300 mm
Total tank height	1935 mm	1975 mm	2080 mm	2075 mm
Tipping height without insulation	1970 mm	2030 mm	2120 mm	2190 mm
Empty weight	109 kg	120 kg	130 kg	215 kg
Electric heating element	models ETT-C, ETT-L, ETT-M			

## 4 - Operation

This tank is designed for heating and storing heating water in household or industrial applications, however always in closed pressure circuits with forced circulation. Hot water is heated inside the thermal store from several possible heat sources like various kinds of heating boilers, renewable energy sources or also electric heating elements. A stainless-steel tube DHW heat exchanger is heated by heating water inside the thermal store. It connects through 1" threaded fittings. When hot water is drawn from the outlet point, cold water flows into the immersed heat exchanger and heats up by the heating water.

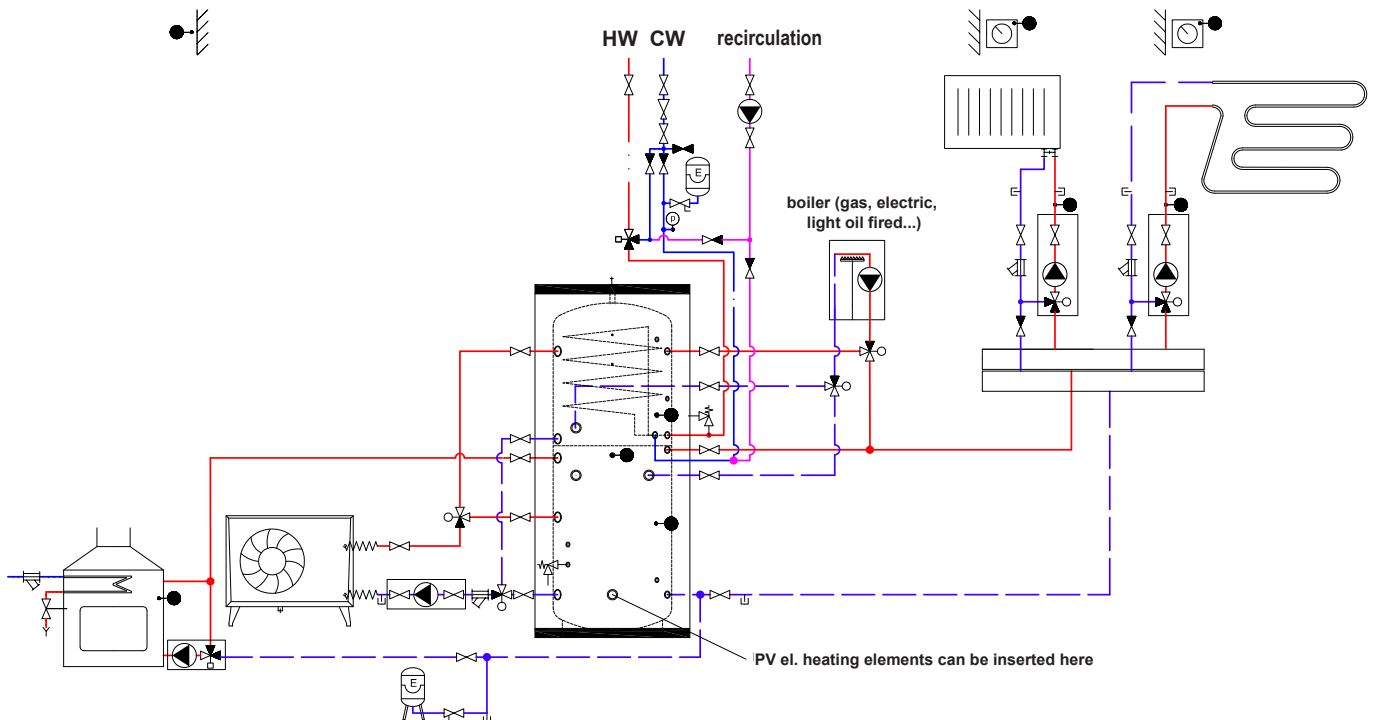
The thermal store shall be connected to heat sources through connecting threaded fittings.

Individual connection points are assigned according to the circuits to be connected. There is a wide choice of combinations; the following chapter describes just some examples.

## 5 - Typical Layout Examples with Thermal Store

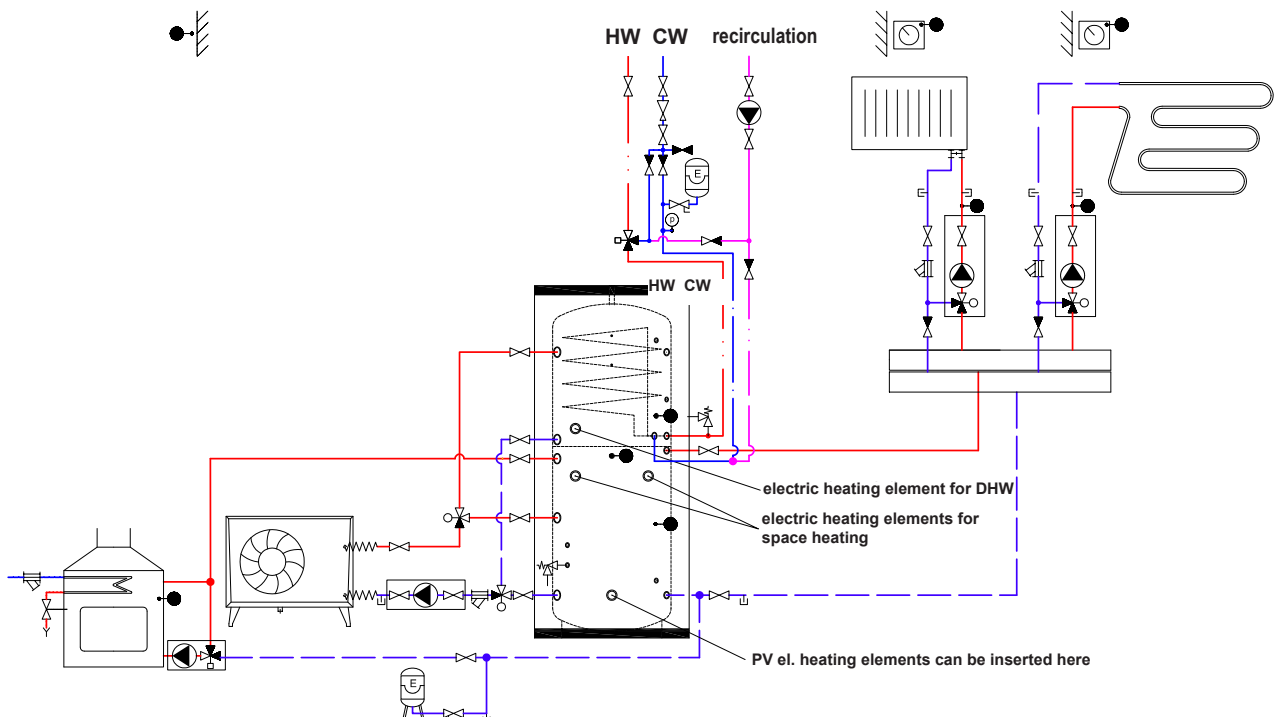
### Example I.

Heat pump + gas-fired boiler + fireplace + PV possible



### Example II.

Heat pump + el. heating element + fireplace + PV possible



## 6 - Installation and Commissioning

Installation must meet valid rules and may be done only by qualified staff.

**Defects caused by improper installation, use or handling are not covered by warranty.**

After the tank is installed and connected to an existing heating system, it is recommended to clean the entire heating system using a suitable cleaning agent, e.g. MR-501/R.

Anti-corrosion protective liquid should be also used, e.g. MR-501/F.

### 6.1 - Connection to heat sources

Place the tank on the floor, as close to your heat source as possible. Connect the heating circuits to inlets and outlets respecting the thermal stratification in the tank. Install a drain valve at the lowest point of the tank. Install an air vent valve at the highest point of the system. Insulate all the connection piping

### 6.2 - Installation of an el. heating element

The G 6/4" side tapplings are designed to accommodate electric heating rods. They can be connected either directly to the mains (thermostat-equipped rods), or to a heating system controller. The installation may be done by qualified staff only.

**Warning: Electric heating elements shall be protected by a safety thermostat.**

### 6.3 - Connection to water mains

DHW piping shall be done according to valid rules. Installation of a pressure reducing valve on the immersed tank inlet is recommended. For water mains pressure above 6 bar a pressure reducing valve is necessary. To prevent water loss, we recommend installing an expansion vessel at the cold water inlet with a minimum volume of 4% of the total volume of water in the DHW piping, including heat exchangers, circulation pipes, etc. (usually 8 l). Should the water be too hard, install a water softener before the tank. In case the water contains mechanical impurities, install a strainer.

### Table of limit values for total dissolved solids in hot water.

Description	pH	Total dissolved solids (TDS)	Ca	Chlorides	Mg	Na	Fe
Max. value	6,5 - 9,5	600 mg/l	40 mg/l	100 mg/l	20 mg/l	200 mg/l	0,2 mg/l

### 6.4 - Commissioning

The tank shall be filled up together with the heating system, respecting valid standards and rules. In order to minimize corrosion, special additives for heating systems should be used. The quality of heating water depends on the quality of filling water at commissioning, on the top-up water and on the frequency of topping up. This has a strong influence on the lifetime of heating systems. Poor quality of heating water may cause problems like corrosion or incrustation, esp. on heat transfer surfaces.

**Quality of DHW shall meet the conditions shown in the Table of limit values for total dissolved solids in hot water on this page.**

Fill the heating circuits with the appropriate fluids and air-bleed the entire system. Check all connections for leaks and verify the system pressure. Set the heating controller in compliance with the documentation and manufacturer's recommendations. Check regularly the proper function of all control and adjustment elements.

## 7 - Installing Insulation on the Tank

### Warning

Insulation installation shall be done in two or three persons, depending on its size. The zippered, PVC coated insulation **must not be installed at temperatures below 20 °C**. If this cannot be avoided, the insulation shall be pre-warmed in another room to at least 20 °C. It is impossible to install insulation of lower temperature, there is a risk of damage, esp. to the zipper.

Do not use any tools for installation.

Keep away from open fire.

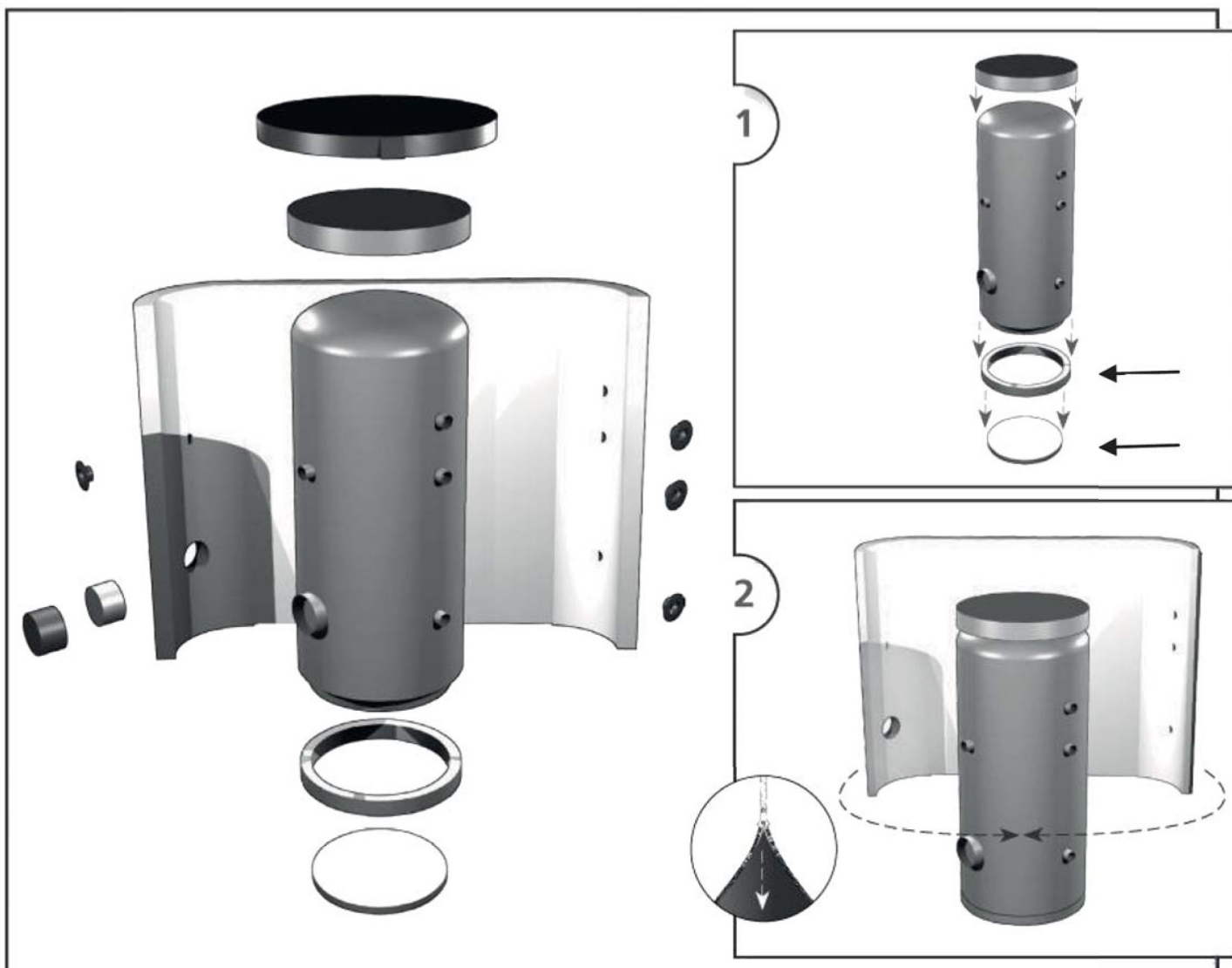
### Installing Insulation

1. Fix the tank following installation instructions.
2. Fit the bottom insulation parts.
3. Wrap the insulation around the tank carefully. Check that the insulation adheres to its body perfectly. This can be reached by rubbing and patting the insulation by hand from its center evenly in both directions until the insulation adheres to the tank's surface completely and no bubbles are left.

4. Use the holes for tapings as a rest during the insulation installation.
5. At least one person presses the insulation to the tank, pulling both ends together. The other person closes the zipper.
6. Put on the upper insulation and cover
7. Push on the covering plastic rosettes depending on the size of tapings, or put on the flange plug(s) with insulation.
8. Finish the tank installation in compliance with the respective instructions and valid standards and rules.

**Warranty on insulation**

- Warranty shall become null and void if:
  - the procedure described in the Installation Manual was not respected,
  - the product was used for other purposes than intended.
  
- Warranty does not cover:
  - usual wear and tear,
  - damage caused by fire, water, electricity or a natural disaster,
  - defects caused by failure to use the product in compliance with its intended purpose, by improper use and insufficient maintenance,
  - defects caused by mechanical damage to the product,
  - defects caused by tampering or incompetent repair.



## **8 - Maintenance**

If the tank is fitted with a heating element, disconnect it from the mains first. Clean the exterior of the tank with a soft cloth and a mild detergent. Never use abrasive cleaners or solvents. Check all connections for leaks.

## **9 - Disposal**

Packaging shall be disposed of in compliance with the valid rules. When the product reaches the end of its life, it shall not be disposed of as household waste. It shall be dropped off at a Local Waste Recycling Center. Insulation shall be recycled as plastic and the steel vessel as scrap iron.

## **10 - Warranty**

This product is covered by warranty under conditions specified in this Manual and the respective Warranty Certificate. The Warranty Certificate is an integral part of supply of this Thermal Store.