

### HSK 1700 P Combination Thermal Store

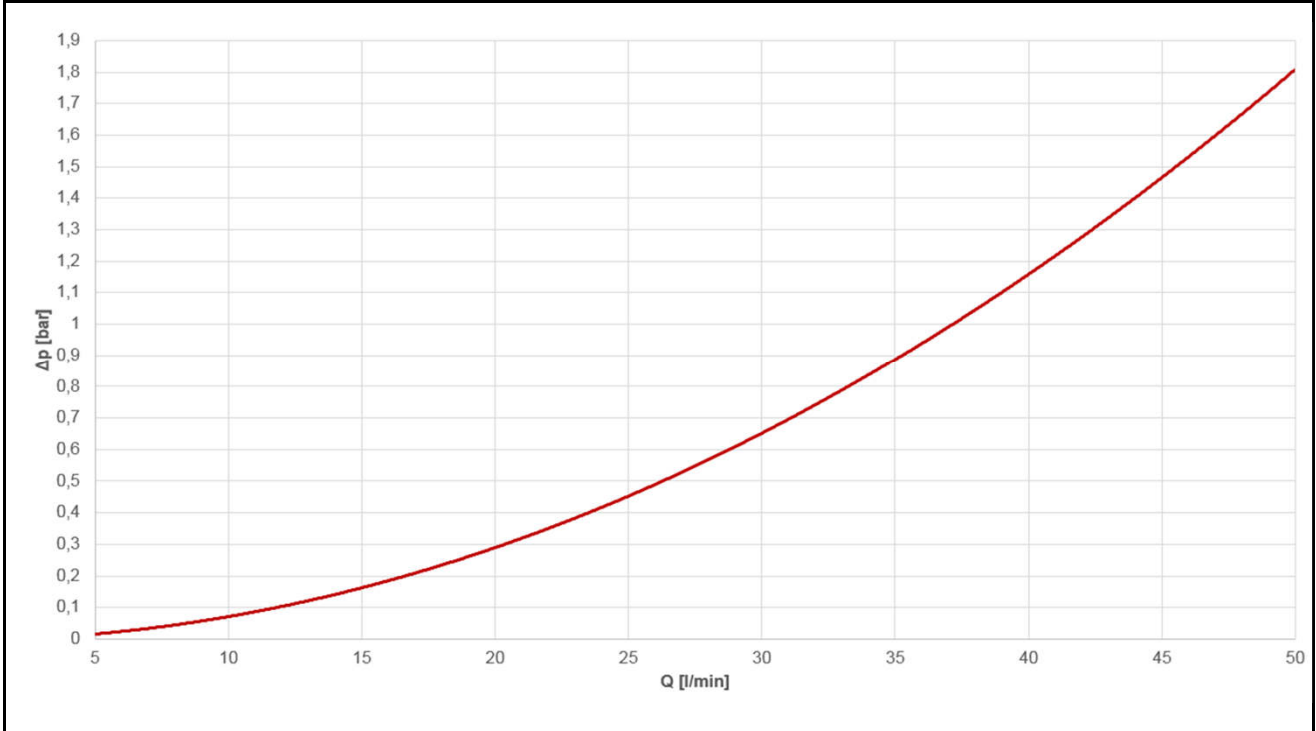


Main features	
Application	storage of thermal energy for DHW and space heating
Description	combination Thermal Store with immersed DHW heat exchanger made of stainless steel; with a tight separating sheet that increases seasonal performance factor of a heat pump and efficiency of solar thermal system
Working fluid	water (tank), water, water/glycol mixture (max. 1:1) or water/glycerine mixture (max. 2:1) (heat exchangers)
Code	
Thermal Store	<b>14 558</b>
Insulation	<b>16 314</b>
Energy Efficiency Data (as per EC Regulation No. 812/2013)	
	<b>HSK 1700 P with insulation</b>
Energy efficiency class	N/A
Standing loss	179 W
Storage volume	1687 l
Technical Data	
Total tank volume	1687 l
Fluid volume in tank	1666 l
DHW heat exchanger volume	21 l
DHW heat exchanger surface area	6 m <sup>2</sup>
Max. working temperature in Thermal Store	95 °C
Max. working temperature in DHW HE	95 °C
Max. working pressure in Thermal Store	3 bar
Max. working pressure in DHW HE	6 bar
Tank Materials	
Tank material	S235JR
DHW heat exchanger material	AISI 316 L
Insulation Materials	
Tank perimeter insulation	fleece
Tank perimeter insulation outer surface	PU leather
Top and bottom tank insulation	fleece
Dimensions, Tipping height, Insulation thickness, Weight	
Tank diameter	1100 mm
Tank diameter with insulation	1300 mm
Tank overall height	2075 mm
Tipping height without insulation	2190 mm
Tank perimeter insulation thickness	100 mm
Bottom insulation thickness	50 mm
Top insulation thickness	120 mm
Empty weight without insulation	215 kg
Accessories	
El. heating element (models)	ETT-C, L, M
Heating elem. max. length / output	4x 955 mm / 12 kW

**HSK 1700 P Combination Thermal Store**

Volume of supplied DHW (heated from 10 °C to 40 °C)												
Heated volume	entire			entire			entire			above metal sheet		
Temperature in tank	60 °C			60 °C			80 °C			60 °C		
Backup heater	10 kW			none			none			10 kW		
Flow rate [l/min]	8	12	20	8	12	20	8	12	20	8	12	20
Hot water volume [l]	2077	1339	1313	1072	983	990	1673	1632	1568	779	589	415

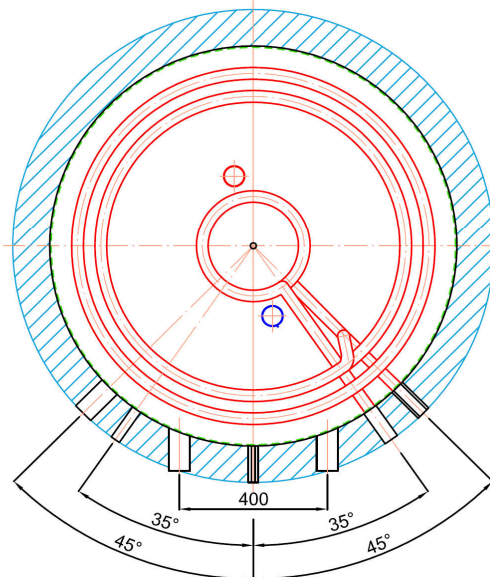
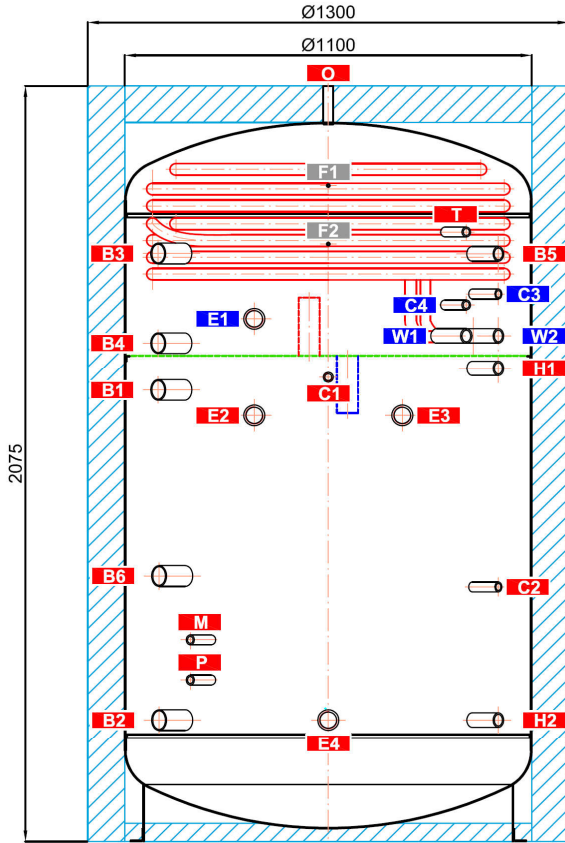
**DHW heat exchanger pressure drop graph**



**HSK 1700 P Combination Thermal Store**

**Dimensions**

Tipping height without insulation 2190 mm.



**TAPPINGS**

pos.	connection	height [mm]
<b>Heat sources</b>		
B1	G 6/4" F	1240
B2	G 6/4" F	335
B3	G 6/4" F	1615
B4	G 6/4" F	1370
B5	G 1" F	1615
B6	G 6/4" F	730
<b>Heating system</b>		
H1	G 1" F	1300
H2	G 1" F	335
<b>El. heating elements</b>		
E1	G 6/4" F	1437
E2	G 6/4" F	1170
E3	G 6/4" F	1170
E4	G 6/4" F	335
<b>DHW heating</b>		
W1	G 1" M	1390
W2	G 1" M	1390
<b>Control and safety</b>		
C1	G 1/2" F	1275
C2	G 1/2" F	700
C3	G 1/2" F	1505
C4	G 1/2" F	1475
T	G 1/2" F	1675
M	G 1/2" F	555
P	G 1/2" F	445
<b>Air release</b>		
O	G 1/2" F	2075
<b>Pump station support</b>		
F1	M6	1802
F2	M6	1642